

Installation Instructions

安裝說明書

FRONT UPPER ARM OFFSET BUSHING

前上三角架偏心鐵套

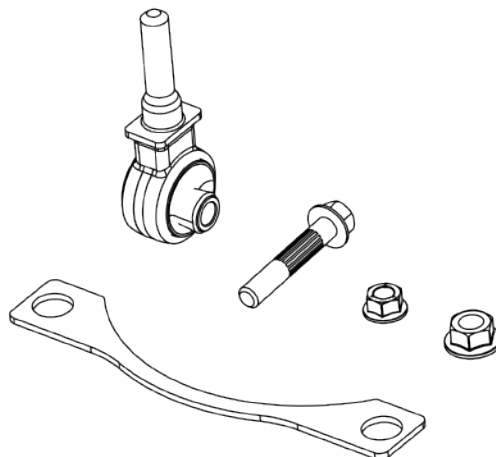
#Q0568

Application 適用車型

HONDA CIVIC '92-96
HONDA DEL SOL '92-98
HONDA/ACURA INTEGRA '94-01

Components 內含配件

- ① Offset bushings 偏心鐵套.....4pcs
- ② Bushing mounting bracket 鐵套固定支架..2pcs
- ③ Bolt 螺絲 (M10x1.25x58).....4pcs
- ④ Nut 螺帽 (M10x1.25-14x9).....4pcs
- ⑤ Nut 螺帽 (M12x1.25-17x11).....4pcs



Caution 注意事項

- Installation is recommended to be performed by licensed mechanics with necessary tools to ensure safety. Incorrect installation may cause injury, damage to the product or vehicle.
安裝建議由合格的技師及工具執行以確保安全。安裝錯誤可能對人員、產品及車輛造成傷害。
- Note the routing of wires and cables before installation, or please refer to factory manual.
安裝前請事先記下線路的安裝路徑及位置以維持原廠配置。有疑問時請參考原廠手冊。
- Tighten bolts and nuts firmly by using handtools, and with specified torque if mentioned.
安裝過程請使用手動工具確實鎖緊螺帽及螺絲。如有特別註明請依照說明指示的扭力上鎖。

Instructions 安裝說明

1. Remove the front upper control arms, bushings and bushing mounting brackets.

將前上控制臂、鐵套及鐵套固定支架拆下。

2. Install the new offset bushings to the upper control arms using supplied M10x1.25 bolts and nuts.

使用附件M10x1.25螺絲及螺帽。將新的偏心鐵套安裝至前上控制臂。

Note 提示

The side with shorter sleeve should be installed toward the front of the vehicle

鐵套內管長度較短的一端朝向車前方

Offset toward inner side of the vehicle for negative camber.

安裝時將中心孔偏向車輛內側可增加負外傾角

Offset toward outer side of the vehicle for positive camber.

安裝時將中心孔偏向車輛外側可增加正外傾角

3. Reinstall the front upper arms and the supplied bushing mounting brackets to the vehicle using supplied M12x1.25 nuts.

使用附件M12x1.25螺帽。將鐵套固定支架及控制臂裝回車輛。

Note 提示

Grind control arms a bit if the arms rub on inner fenders after adjusting camber to extreme negative.

當調整負外傾角至極限時。控制臂鐵架可能會與葉子板內側摩擦。此時可將控制臂鐵件磨去一些以避免干涉。

4. Please have the vehicle professionally aligned after installation.

請於安裝中完成後接受電腦四輪定位校正。

