

Installation Guide

安裝說明書

VEHICLE APPLICATIONS
適用車型

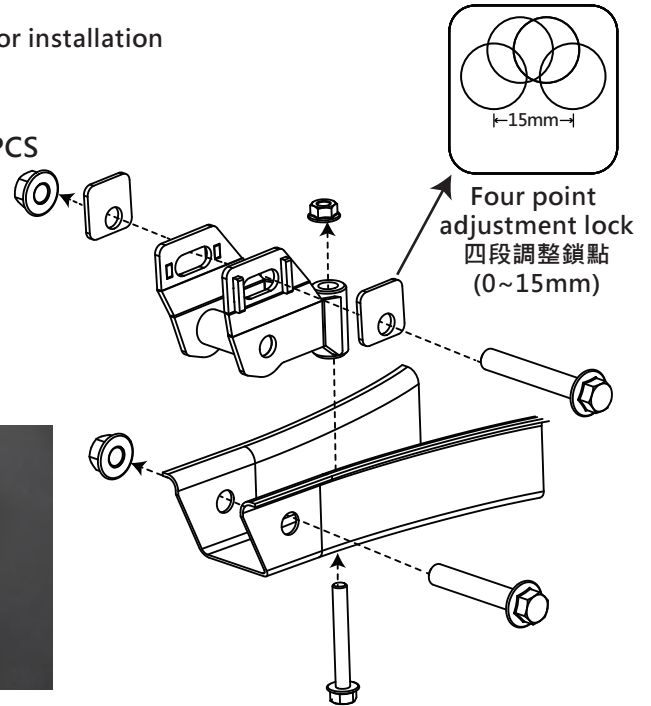
VOLKSWAGEN GOLF MK5, A5, Typ 1K 2004-2008
VOLKSWAGEN GOLF MK6, A6, Typ 5K 2009-2013
VOLKSWAGEN GOLF MK7, A7, Typ 5G 2014-

PART NO. 8586

Contents 內含配件

※ Please apply hand tools for installation
安裝過程請使用手動工具

1. Low Down Adapter For Rear Lower Arm 下支臂降低座 2PCS
2. Adjusting plate 調整墊片 4PCS
3. Bolt M12 (88mm) 螺絲M12 (88mm) 2PCS
4. Bolt M12 (70mm) 螺絲M12 (70mm) 2PCS
5. Nut M12 螺帽M12 4PCS
6. Bolt M8 螺絲M8 2PCS
7. Nut M8 螺帽M8 2PCS



Installation tips 安裝提示

※ Please read the HARDRACE Tech Tips before installing the products.
在安裝之前請詳閱 HARDRACE 技術提示



Recommended Torque 鎖緊扭力表

M12	80~100Nm
M8	40~60Nm

Rear lower arm will be lowered by 40mm after installation.
18 inches (or larger) rims are suggested.
後下支臂降低40mm
建議輪圈尺寸18吋以上適用



HARDRACE Tech Tips 技術提示

Warning! Risk of Death may be caused by vehicle slipping or toppling off the jacking platform.

警告! 在頂車機的作業下，車輛的滑動或倒塌可能會造成人員致命的危險

Motor vehicle mechanical knowledge is expected. In some country & states, fitment may only be legally performed by a licensed mechanic. Check the regulation in your area.

請預先了解車輛機械知識與檢查在您所屬的國家或區域地方是否需要專業技師執照才可執行更換安裝，以免觸法

When swapping the suspension kits, be sure to note the routing and mounting position of all wires, cables and bolts orientation, certain damage might be caused by reinstalling differently from the original factory position. Please refer to factory manual for proper installation and safety stands.

當更換您車輛的懸吊套件時，請記下您的線組與管線安裝位置，非原廠相同的安裝位置可能會造成元件之損壞，造成車輛的危險。請參考原廠車輛手冊



TEL: +886 3 5370822 FAX: +886 3 5373027
E-MAIL: info@hardrace.com WEBSITE: WWW.HARDRACE.COM

